



**United Air Specialists, Inc.**

a CLARCOR company



Air Solutions, Inc.  
40 Avebury Cove  
Eads, TN 38028  
Ph 901-290-5090  
Fx 901-290-5091  
website: [www.airsolutions.us](http://www.airsolutions.us)

## SFC SERIES



DOWNWARD FLOW CARTRIDGE DUST COLLECTOR

*Clean air. It's what we do.®*

# SFC SERIES

*high performance,  
modular design*  
DUST COLLECTOR.

The SFC is a proven, high-quality downward flow cartridge dust collection system. With its patented pulse cleaning technology, greater air capacity and quick and easy maintenance, there's no better air filtration method for your manufacturing facility.

Our SFC unit removes harmful pollutants resulting from common manufacturing processes — such as grinding, welding, buffing and sanding. The result: a safer, cleaner environment for your employees. By using our SFC unit, you're virtually eliminating air quality concerns in the workplace. Plus, you're ensuring increased employee productivity, fewer absences and illnesses, more efficient cleaning, and significant operational savings.



## A WIDE RANGE OF APPLICATIONS

The high-performance SFC unit is ideal for all your dust collection needs. Filtering out the polluted air that commonly occurs within a manufacturing environment, SFC's many industrial applications include grinding, welding, buffing, sanding, smelting, bulk powder handling, and more. Plus, our design allows for field expandability — so you can add modules and increase the capacity of your system at any time.



U.S. Patent No. 6,902,592.



*Clean air. It's what we do.®*

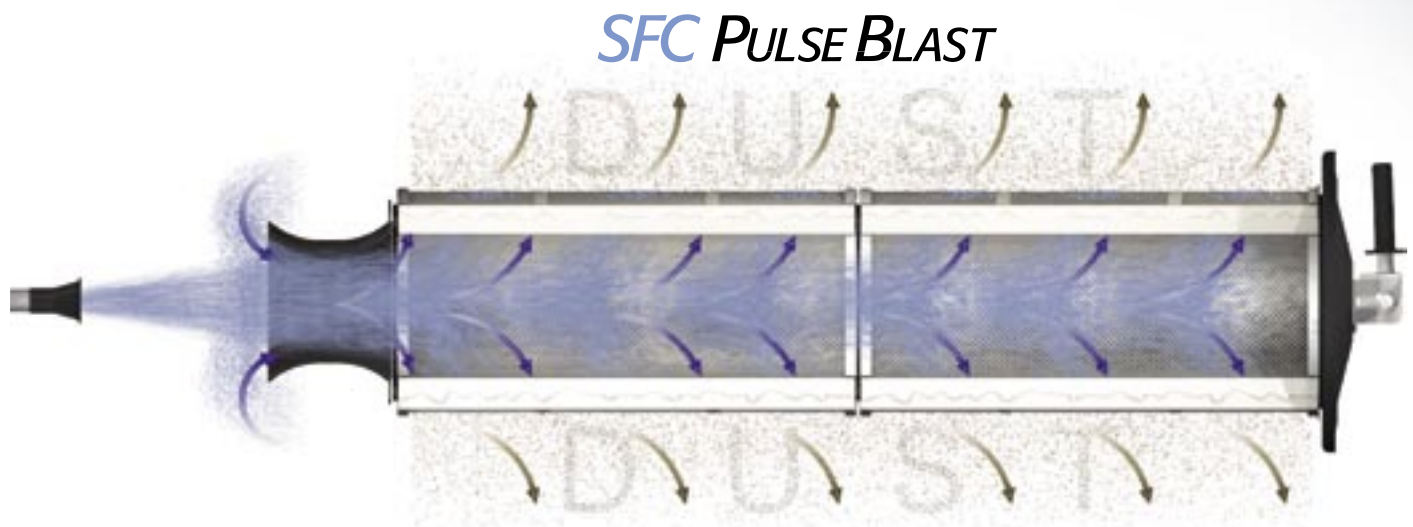


## PATENTED PULSE CLEANING TECHNOLOGY

At the heart of the SFC system is the industry's most advanced pulse cleaning system technology. In designing the SFC unit, UAS engineers used Computational Fluid Dynamics computer modeling to develop the most effective system that "pulses off" dust from the filter — greatly improving the cartridge cleaning power. Utilizing an optimized "diverging isothermal flow" nozzle and venturi, air is pulsed at a precisely calculated distance through an unobstructed airway. The result: Increased pulse cleaning energy, lower pressure drop and longer cartridge life. Plus, our patented pulse system cleans the full length of the cartridge. These unique, proprietary features assure years of dependable, efficient and cost effective performance.

## EXTENDED CARTRIDGE LIFE WITH MORE POWER & LESS ENERGY

Unlike competitors, the SFC system uses external filter tracks to support the filters instead of "yokes" that interfere with cleaning. This allows for unobstructed airflow and increased cleaning power with less energy. By designing the SFC with optimized cabinets that broaden the space between cartridges and sidewalls, we ensured lower velocities and reduced cartridge abrasion. The result: dramatically increased cartridge life.



### PULSE BLAST BENEFITS

**FEWER PULSES** are needed to clean the cartridge filters, so less compressed air is used. This is a substantial cost savings for the customer over the life of the unit.

**FILTER LIFE IS INCREASED** because fewer pulse cycles mean less stress on the filter media. This equates to less frequent filter changes and significant reduction in operating costs.

**UNOBSTRUCTED AIRFLOW** means there is more cleaning energy delivered to the filters to clean the entire length of the cartridge filter.

**OPTIMIZED CLEANING** provides maximum filter efficiency with the lowest possible outlet emissions.

*At any point along the cartridge filter, the SFC unit provides 25% more pulse cleaning power than the competition.*

## FEATURES AND BENEFITS

### *Heavy-duty Lifting Lugs*

Ensure safe and secure support during installation.

### *Powder Coated Finish*

All components have electrostatically applied paint that prevents fading and chalking.

### *Modular Design*

Provides flexibility to increase unit capacity by adding modules at your facility.

### *Optimized Cartridge Cleaning System*

Springless pulse valves and patented nozzle/venturi offer maximized cleaning power.



### **QUICK AND EASY MAINTENANCE**

With one simple movement of the handle, the SFC's "Quickseal" release door provides extremely fast filter removal and maintenance.



### *Horizontal Filters*

Quick and easy access when replacing filters.

### *Heavy-duty Construction*

Designed and manufactured to meet Seismic Zone 4 and 100 mph wind load structural rating.

**10-YEAR WARRANTY**



Clean air. It's what we do.®



## CARTRIDGE FILTERS

Engineered with a variety of application-specific filter media, all SFC filters provide up to 99.999% efficiency and long filter life. UAS' SFC cartridge filters are compatible with virtually every major brand of downward flow cartridge dust collectors. This ensures increased flexibility and lower maintenance costs. Our wide range of filters includes:

### OPTIONS AND ACCESSORIES

- **Air Safety Filters** — used when air is recirculated into the plant or when collecting hazardous dusts, ensuring that clean air is continuously discharged from the unit.
- **Explosion Relief Vents** — minimize damage and provide a degree of personal protection in the unlikely event of an explosion that may result when collecting explosive dusts.
- **Abrasive Inlet** — prevents filter media damage when collecting highly abrasive dusts.
- **Bag-In/Bag-Out Option** — provides clean, safe, easy removal of fine, hazardous or difficult-to-handle dusts.
- **Blower Silencer Package** — duct-type silencer reduces unit noise level to 80 dBA or less under normal operating conditions.

Cartridge Filter Type	Description	Max. Temp.	General Usage	Typical Application
Standard (Supra-Net)	High-efficiency	180° F	For most applications.	Abrasive blasting, carbon black, powder paints, dry chemical processing, pharmaceuticals, etc.
Fire Retardant (Supra-Net-FR)	High-efficiency treated to be fire retardant	180° F	For applications where live sparks could enter the dust collector.	Welding, flame cutting, plasma cutting, laser cutting, metal spraying, ferrous metal grinding, etc.
Wide Pleat (Supra-Fibrous)	High-efficiency with wide spacing for better dust release	180° F	For applications where larger or irregularly shaped particles may enter the collector.	Fiberglass and composites grinding, leather finishing, grain handling, buffing, tobacco processing, wood sanding, etc.
Wide Pleat Fire Retardant (Supra-Fibrous-FR)	High-efficiency with wide spacing for better dust release, treated to be fire retardant	180° F	For applications where live sparks or irregularly shaped particles may enter the dust collector.	Coarse grinding of ferrous metals, etc.
Washable (Supra-Fibrous-W)	High-efficiency with wide spacing that includes special washable media	*180° F	For applications with larger particles or with hygroscopic or agglomerative dusts. Filter can be washed and reused.	Salt, sugar, clay, cocoa, coffee, detergents, milk powder, stearates, etc.
Spun-Bond (Supra-Release-P)	High-efficiency, proprietary blend of spun-bond polyester fibers	*245° F	For applications where high strength media and excellent release characteristics are required.	Cardboard, cement, cocoa, coffee, paper, rubber grinding, etc.
Spun-Bond PTFE (Supra-Release-T)	High-efficiency, proprietary spun bond polyester substrate with a Teflon surface membrane	*245° F	For applications demanding extremely high filtration efficiencies or difficult dust cake release requirements.	Food, asbestos, pesticides, fluidized bed dryers, agglomerating materials, etc.

\* High temperature versions available.

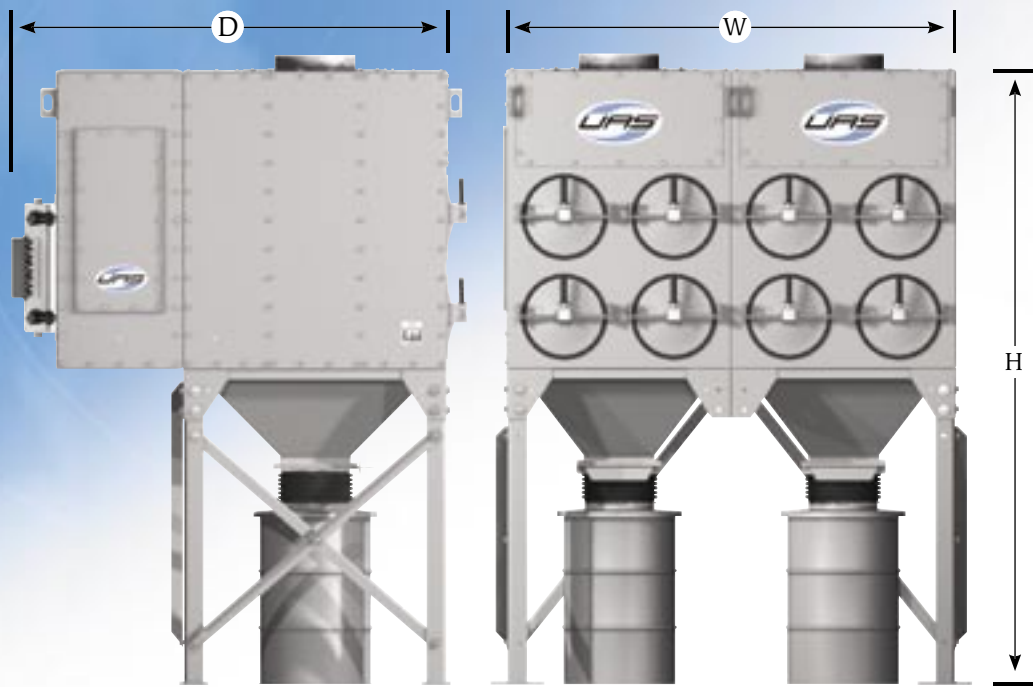
### • Other Add-Ons

- Air Management Module
- After-Filters
- Extended Dirty Air Plenums
- Fans
- Leg Extensions
- Drum Lid Latch Kit
- Bin Vents
- Short Drums
- Drawer Base
- Steep Sided Hoppers
- Stainless Steel Construction
- Service Platforms
- Control Panels
- Photohelic® Gauge Controls
- Pneumatic Valve Assemblies
- Hopper Access Doors
- Sprinkler Heads
- Thermal Protection Kits

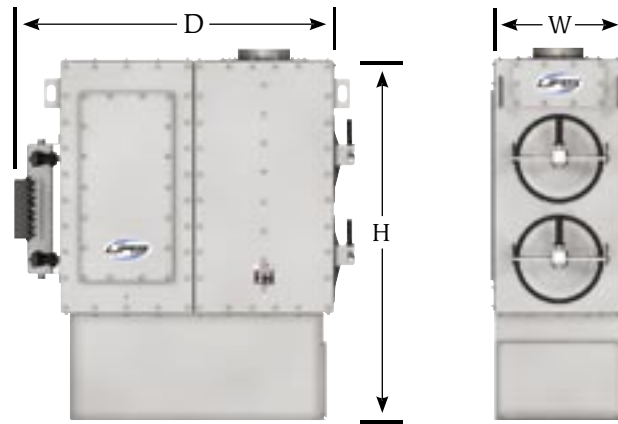
Other options and accessories available. Contact UAS for assistance.



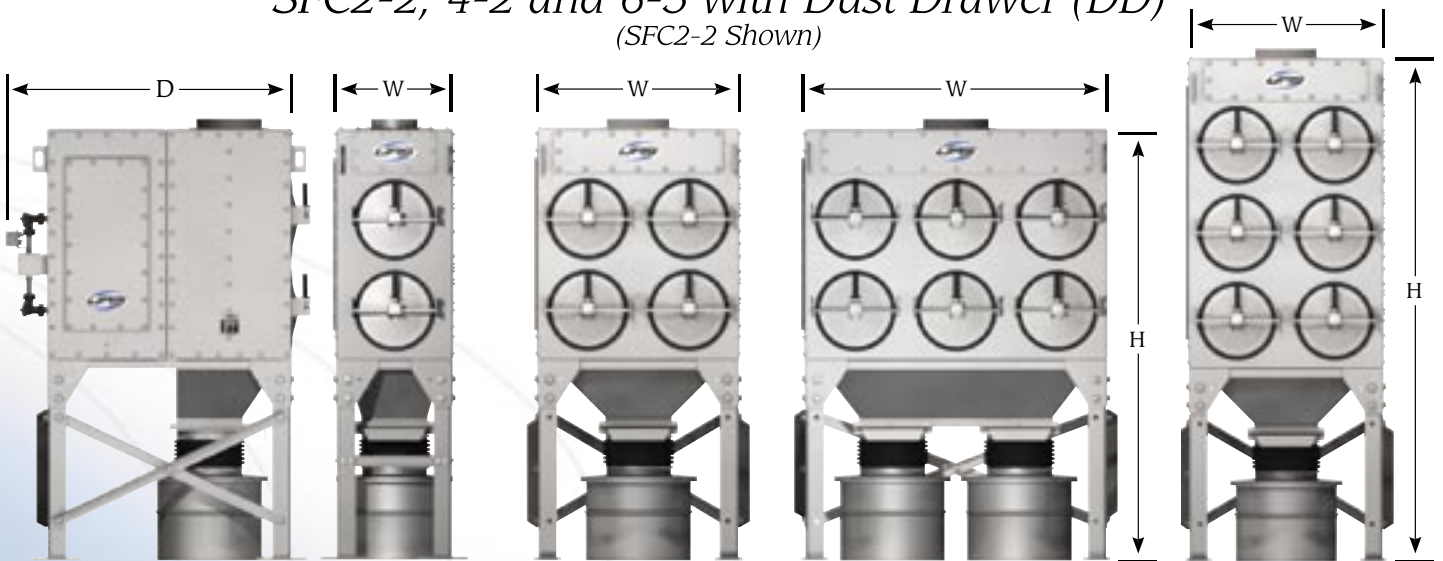




*SFC8-2 and Larger with Drum (H55)*



*SFC2-2, 4-2 and 6-3 with Dust Drawer (DD)  
(SFC2-2 Shown)*



*SFC2-2*

*SFC4-2*

*SFC6-2*

*SFC6-3*

*with Short Drum (SD)*



# DIMENSIONS AND SPECIFICATIONS

SFC Models	Filter Quantity	Total Filter Media Area (FT <sup>2</sup> )	Valve Quantity	Module Quantity	Unit Weight	Compressed Air Consumption		Height	Width	Depth
					(LBS)	SCF/PULSE	SCFM 6P/Min			
SFC 2 - 2 - SD	2	510	2	1	954	1.7	10.2	7' 8"	2' 1"	5' 1"
SFC 4 - 2 - SD	4	1020	4	1	1317	1.7	10.2	7' 8"	3' 11"	5' 1"
SFC 6 - 2 - SD	6	1530	6	1	1726	1.7	10.2	7' 8"	5' 9"	5' 1"
SFC 2 - 2 - DD	2	510	2	1	890	1.7	10.2	5' 4"	2' 1"	5' 1"
SFC 4 - 2 - DD	4	1020	4	1	1197	1.7	10.2	5' 4"	3' 11"	5' 1"
SFC 6 - 3 - DD	6	1530	6	1	2020	1.7	10.2	6' 11"	3' 11"	5' 1"
SFC 6 - 3 - SD	6	1530	6	1	1726	1.7	10.2	9' 4"	3' 11"	5' 1"
SFC 8 - 2 - H55	8	2040	4	1	1922	1.7	10.2	10' 3"	4' 1"	7' 2"
SFC 16 - 2 - H55	16	4080	8	2	3237	3.4	20.4	10' 3"	7' 10"	7' 2"
SFC 24 - 2 - H55	24	6120	12	3	4552	5.1	30.6	10' 3"	11' 7"	7' 2"
SFC 32 - 2 - H55	32	8160	16	4	5947	6.8	40.8	10' 3"	15' 4"	7' 2"
SFC 12 - 3 - H55	12	3060	6	1	2420	1.7	10.2	11' 11"	4' 1"	7' 2"
SFC 24 - 3 - H55	24	6120	12	2	4016	3.4	20.4	11' 11"	7' 10"	7' 2"
SFC 36 - 3 - H55	36	9180	18	3	5612	5.1	30.6	11' 11"	11' 7"	7' 2"
SFC 48 - 3 - H55	48	12240	24	4	7288	6.8	40.8	11' 11"	15' 4"	7' 2"
SFC 60 - 3 - H55	60	15300	30	5	8884	8.5	51	11' 11"	19' 1"	7' 2"
SFC 72 - 3 - H55	72	18360	36	6	10480	10.2	61.2	11' 11"	22' 10"	7' 2"
SFC 16 - 4 - H55	16	4080	8	1	2873	1.7	10.2	13' 7"	4' 1"	7' 2"
SFC 32 - 4 - H55	32	8160	16	2	4762	3.4	20.4	13' 7"	7' 10"	7' 2"
SFC 48 - 4 - H55	48	12240	24	3	6651	5.1	30.6	13' 7"	11' 7"	7' 2"
SFC 64 - 4 - H55	64	16320	32	4	8620	6.8	40.8	13' 7"	15' 4"	7' 2"
SFC 80 - 4 - H55	80	20400	40	5	10509	8.5	51	13' 7"	19' 1"	7' 2"
SFC 96 - 4 - H55	96	24480	48	6	12398	10.2	61.2	13' 7"	22' 10"	7' 2"
SFC 112 - 4 - H55	112	28560	56	7	14367	11.9	71.4	13' 7"	26' 7"	7' 2"
SFC 128 - 4 - H55	128	32640	64	8	16256	13.6	81.6	13' 7"	30' 4"	7' 2"

Short Drum (SD) units available in SFC 8 and larger. Subtract 16" from height.

## WHY CHOOSE UNITED AIR SPECIALISTS?

**A world-renowned reputation.** For 40 years, we've been the industry leader in air quality technology — a proven track record that speaks for itself.

**Commitment to quality products.** Measuring our quality against documented expectations, we practice continuous improvement methods to anticipate challenges and implement successful solutions.

**Unparalleled customer support.** As a customer-driven solutions provider, we earn credibility and establish successful relationships by exceeding expectations for professional service and attitude.

**Innovative technical leadership.** Always, we keep technology at the forefront — ensuring continuous product advancements through ongoing investments in design and manufacturing.

### UAS HEADQUARTERS – USA

4440 Creek Road  
Cincinnati, Ohio 45242  
1-800-252-4647  
www.uasinc.com

### UAS – GERMANY

Otto-Hahn-Strasse 6  
D-65520 Bad Camberg  
Ph: +49-6434-94220  
E-mail: info@uas-inc.de

### UAS – UNITED KINGDOM

PO Box 17  
Folly Lane  
Warrington, Cheshire  
England WA5 0NP  
Ph: +44-1925-654321  
E-mail: post@clarcoruk.com

### UAS – ASIA

Flat 1, 15/F, Block 1  
Grand Pacific Views, Palatial Coast  
Siu Lam, Tuen Mun  
New Territories, Hong Kong  
Ph: +852-2814-7722  
E-mail: dlee@clarcor.com



*Clean air. It's what we do.®*



Air Solutions, Inc.  
40 Avebury Cove  
Eads, TN 38028  
Ph 901-290-5090  
Fx 901-290-5091  
website: [www.airsolutions.us](http://www.airsolutions.us)